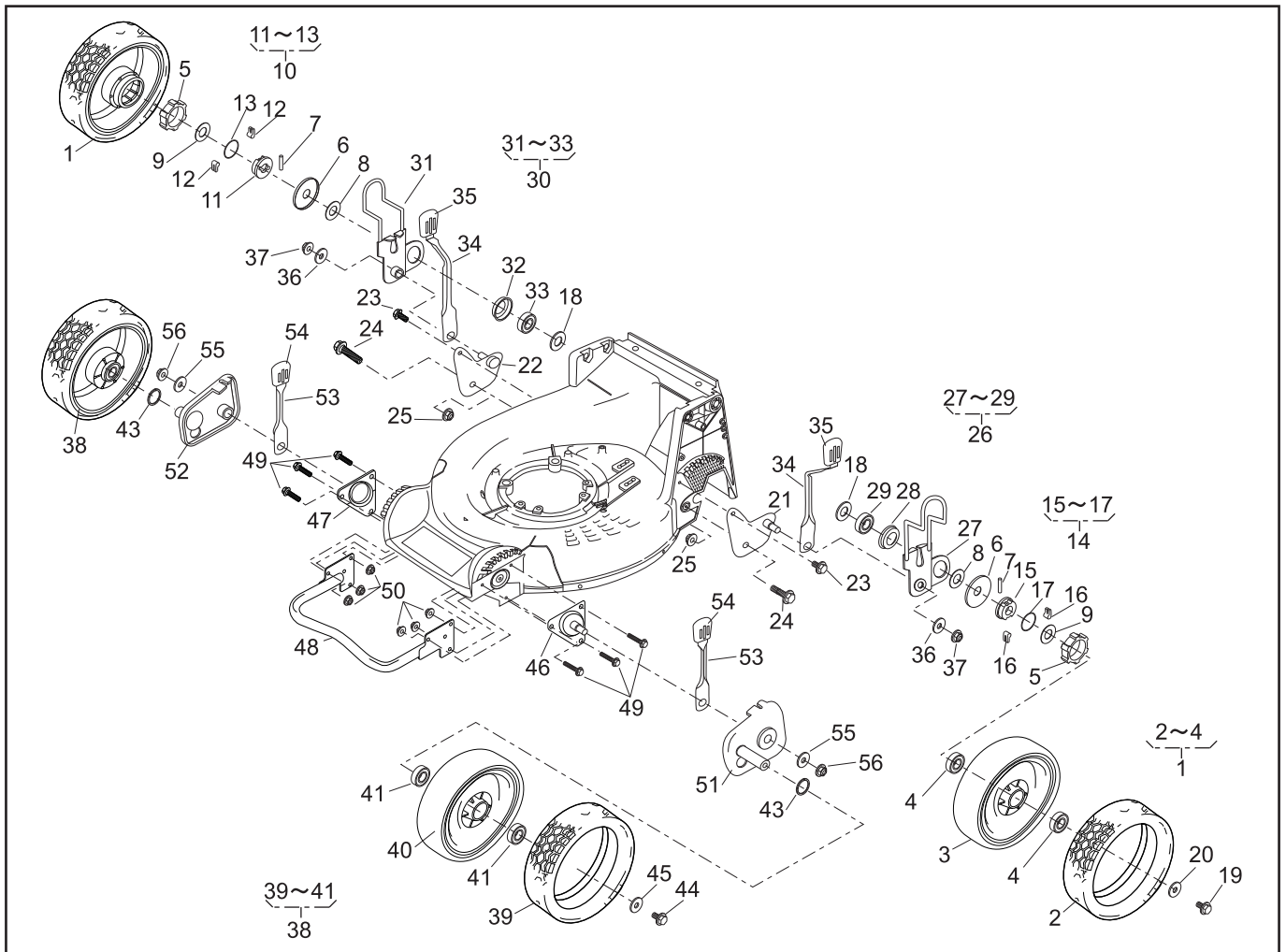




TOSAERBA SARP

SLM-5360HXA-PRO da matr. 2000001

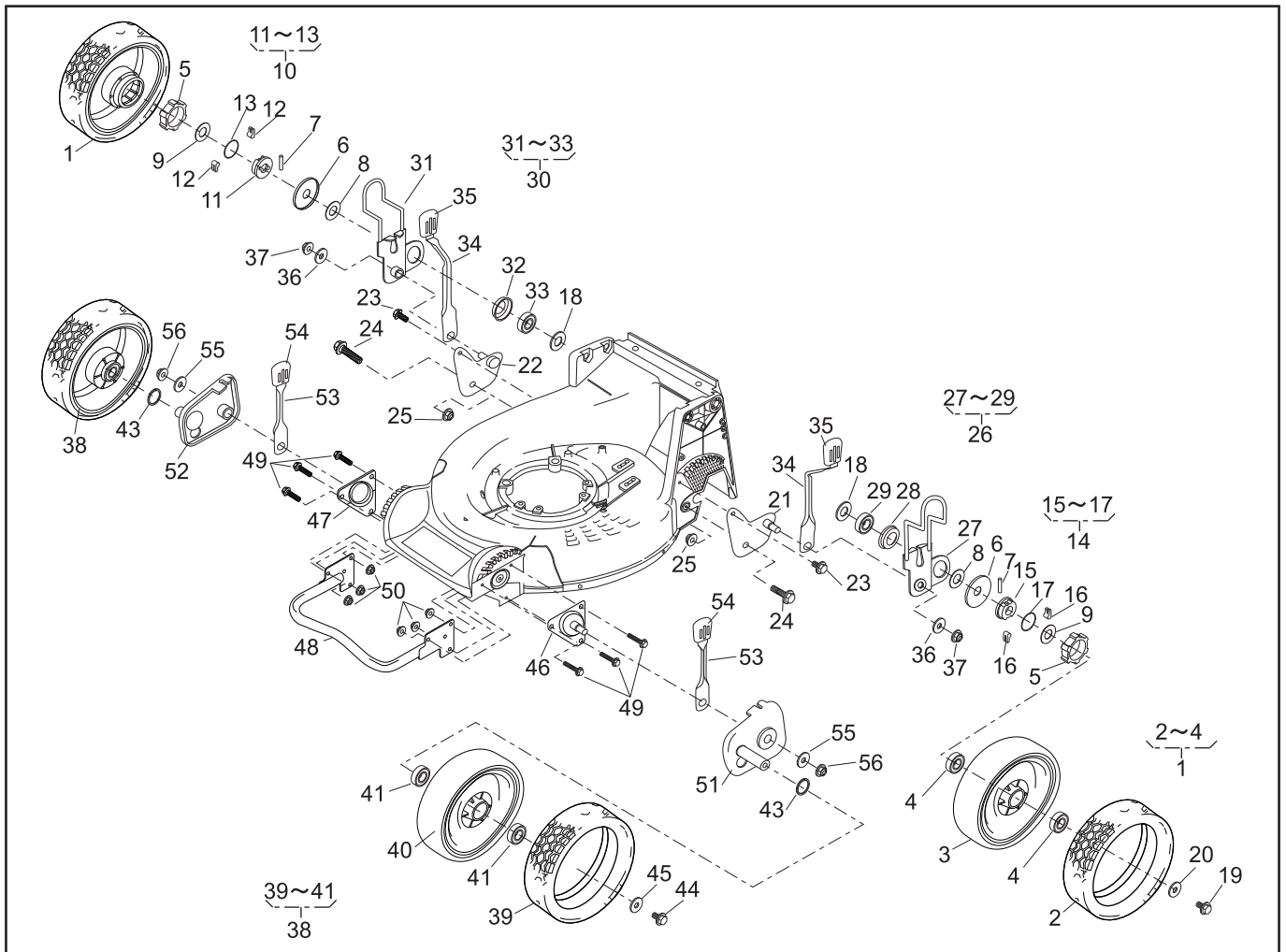
ESPLOSO RICAMBI



PARTS LIST

46014-225

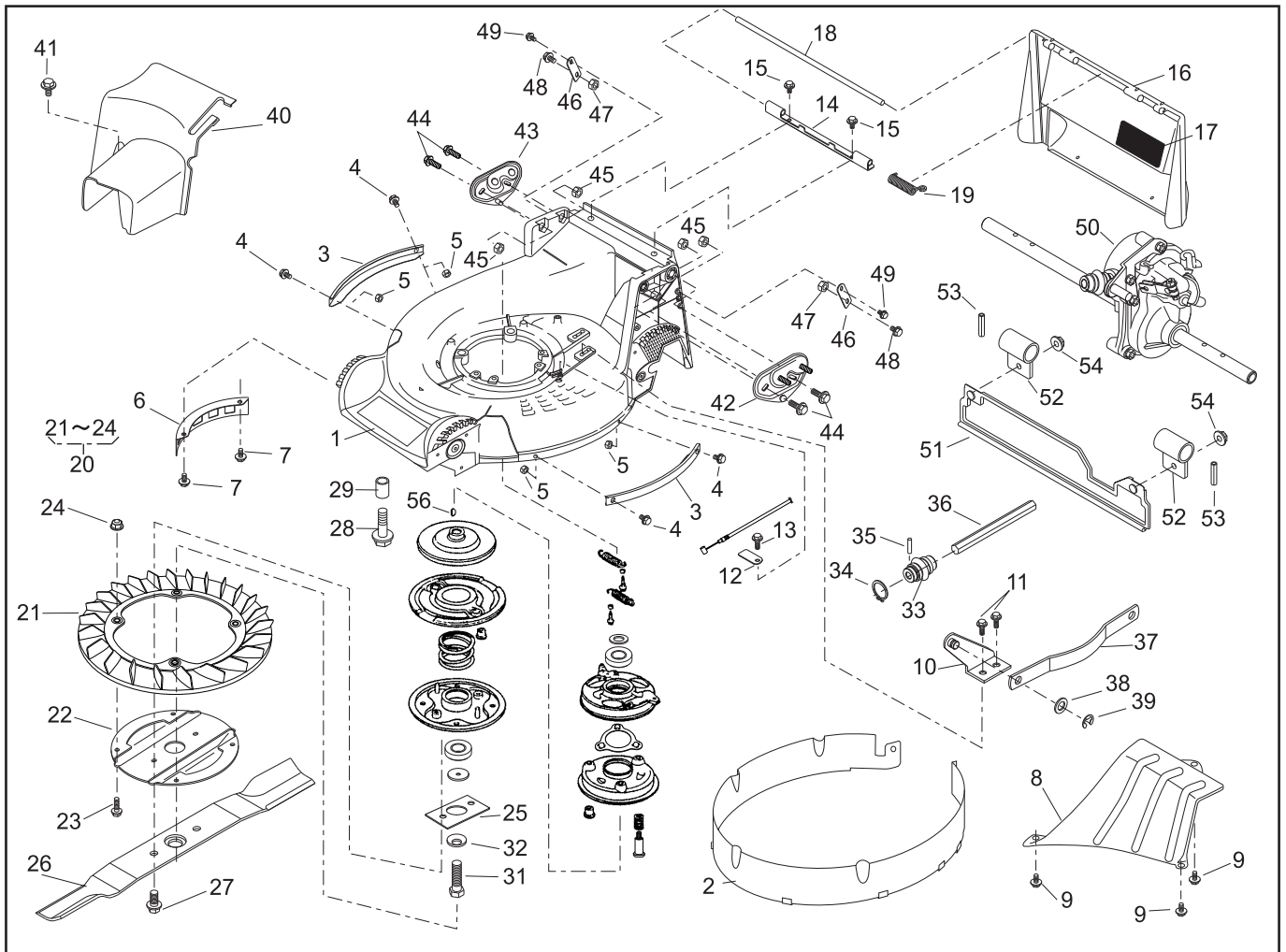
| REF. No. | PARTS No. | PARTS NAME | 9.6"AI-WHEEL | | | 1/2 | RECOMM.(%) Lot.100 | Feb.07,2005 | REMARKS |
|----------|-------------|----------------------|--------------|----------|-----------|-----|-----------------------|-------------|---------|
| | | | Q'TY | PRICE() | INCLUDING | | | | |
| 1 | 71041 144 | WHEEL ASSY(9.6"A.W.) | 2 | | | | | | |
| 2 | 91086 116 | TIRE | 2 | | | | | | |
| 3 | | WHEEL | 2 | | | | | | |
| 4 | 916B 6002 | BEARING | 4 | | | | | | |
| 5 | 11086 119 | STOPPER | 2 | | | | | | |
| 6 | 61003 112 | THRUST PLATE | 2 | | | | | | |
| 7 | 31034 137 | PIN | 2 | | | | | | |
| 8 | 68036 270 | WASHER | 2 | | | | | | |
| 9 | 68036 146 | WASHER | 2 | | | | | | |
| 10 | 71158 101 | RATCHET ASSY(R) | 1 | | | | | | |
| 11 | 11102 138 | HOLDER | 1 | | | | | | |
| 12 | 31034 170 | PIN | 2 | | | | | | |
| 13 | 68013 266 | SPRING | 1 | | | | | | |
| 14 | 71158 102 | RATCHET ASSY(L) | 1 | | | | | | |
| 15 | 11102 138 | HOLDER | 1 | | | | | | |
| 16 | 31034 170 | PIN | 2 | | | | | | |
| 17 | 68013 266 | SPRING | 1 | | | | | | |
| 18 | 68036 275 | WASHER | 2 | | | | | | |
| 19 | 31057 181 | HEXAGON BOLT | 2 | | | | | | |
| 20 | 68036 101 | WASHER | 2 | | | | | | |
| 21 | 11006 151 | STAY C.P.(RL) | 1 | | | | | | |
| 22 | 11006 152 | STAY C.P.(RR) | 1 | | | | | | |
| 23 | 342L 0612 | FLANGE BOLT TAPPING | 2 | | | | | | |
| 24 | 31057 255 | HEXAGON BOLT | 2 | | | | | | |
| 25 | 569L 0800 | FLANGE NYLON NUT | 2 | | | | | | |
| 26 | 71122 110 | ADJUSTER ASSY(L) | 1 | | | | | | |
| 27 | 11142 125 | ADJUSTER(RL) | 1 | | | | | | |
| 28 | 11102 228 | HOLDER | 1 | | | | | | |



PARTS LIST

46014-225

| REF. No. | PARTS No. | PARTS NAME | 9.6"AI-WHEEL | | | PRICE() | RECOMM.(%) Lot.100 | Feb.07,2005 | REMARKS |
|----------|--------------|----------------------|--------------|-----------|--|----------|-----------------------|-------------|---------|
| | | | Q'TY | INCLUDING | | | | | |
| 29 | 916B 6202 | BEARING | 1 | | | | | | |
| 30 | 71122 111 | ADJUSTER ASSY(R) | 1 | | | | | | |
| 31 | 11142 126 | ADJUSTER(RR) | 1 | | | | | | |
| 32 | 11102 228 | HOLDER | 1 | | | | | | |
| 33 | 916B 6202 | BEARING | 1 | | | | | | |
| 34 | 11150 105 09 | ADJUST LEVER | 2 | | | | | | |
| 35 | 36061 121 | KNOB | 2 | | | | | | |
| 36 | 613L 0800 | WASHER | 2 | | | | | | |
| 37 | 569L 0800 | FLANGE NYLON NUT | 2 | | | | | | |
| 38 | 71041 145 | WHEEL ASSY(9.6"A.W.) | 2 | | | | | | |
| 39 | 91086 116 | TIRE | 2 | | | | | | |
| 40 | | WHEEL | 2 | | | | | | |
| 41 | 916B 6002 | BEARING | 4 | | | | | | |
| 42 | | | | | | | | | |
| 43 | 51113 119 | RING | 2 | | | | | | |
| 44 | 31057 181 | HEXAGON BOLT | 2 | | | | | | |
| 45 | 68036 101 | WASHER | 2 | | | | | | |
| 46 | 11006 153 | STAY C.P.(FL) | 1 | | | | | | |
| 47 | 11006 154 | STAY C.P.(FR) | 1 | | | | | | |
| 48 | 11153 112 | BUMPER | 1 | | | | | | |
| 49 | 335L 0625 | FLANGE BOLT | 6 | | | | | | |
| 50 | 569L 0600 | FLANGE NYLON NUT | 6 | | | | | | |
| 51 | 11142 127 | ADJUSTER(FL) | 1 | | | | | | |
| 52 | 11142 128 | ADJUSTER(FR) | 1 | | | | | | |
| 53 | 11150 106 09 | ADJUST LEVER | 2 | | | | | | |
| 54 | 36061 121 | KNOB | 2 | | | | | | |
| 55 | 613L 0800 | WASHER | 2 | | | | | | |
| 56 | 569L 0800 | FLANGE NYLON NUT | 2 | | | | | | |

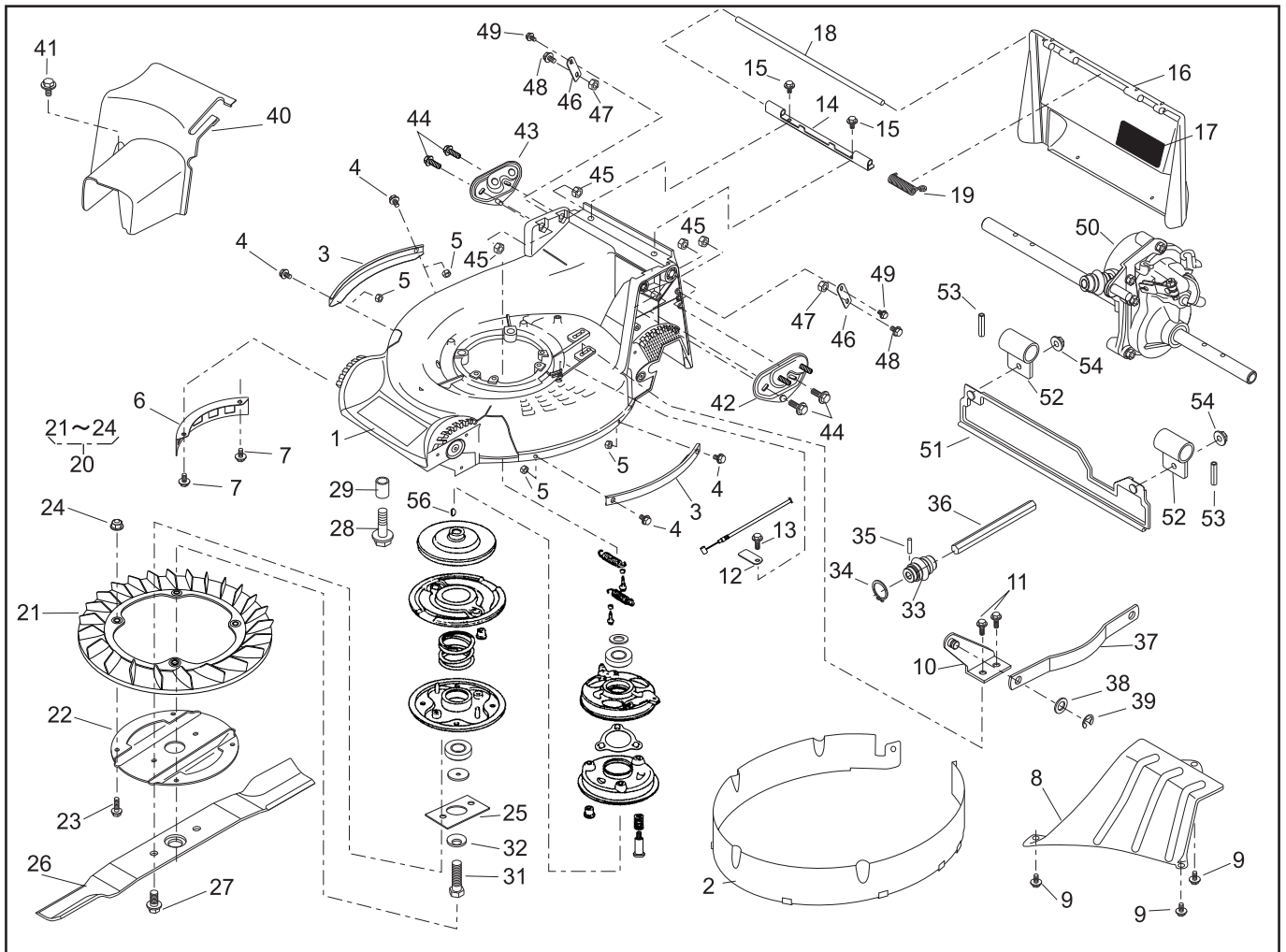


PARTS LIST

Serial No. 3000001 ~

46014-236

| REF. No. | PARTS No. | PARTS NAME | GARSS-CUTTING-Pro | | | 1/2 | Feb.07,2005 |
|----------|------------------|---------------------|-------------------|----------|--------------------|---------|-------------|
| | | | Q'TY INCLUDING | PRICE() | RECOMM.(%) Lot.100 | REMARKS | |
| 1 | 51043 147 42 | HOUSING | 1 | | | | |
| 2 | 36068 197 | GUARD | 1 | | | | |
| 3 | 51090 117 09 | PROTECTOR | 2 | | | | |
| 4 | 335L 0616 | FLANGE BOLT | 4 | | | | |
| 5 | 512L 0600 | HEXAGON NUT | 4 | | | | |
| 6 | 36065 180 | COVER | 1 | | | | |
| 7 | 342L 0612 | FLANGE BOLT TAPPING | 2 | | | | |
| 8 | 36065 436 | COVER | 1 | | | | |
| 9 | 342L 0612 | FLANGE BOLT TAPPING | 3 | | | | |
| 10 | 11006 155 | STAY C.P. | 1 | | | | |
| 11 | 342L 0612 | FLANGE BOLT TAPPING | 2 | | | | |
| 12 | 11113 407 | STAY | 1 | | | | |
| 13 | 342L 0612 | FLANGE BOLT TAPPING | 1 | | | | |
| 14 | 11113 292 | STAY | 1 | | | | |
| 15 | 342L 0612 | FLANGE BOLT TAPPING | 2 | | | | |
| 16 | 36068 196 46 | GUARD | 1 | | | | |
| 17 | 36080 149 | RUBBER SHEET | 1 | | | | |
| 18 | 64014 324 | SHAFT | 1 | | | | |
| 19 | 68013 336 | SPRING | 1 | | | | |
| 20 | 71082 111 | FAN ASSY | 1 | | | | |
| 21 | 51125 103 | FAN | 1 | | | | |
| 22 | 11102 151 | HOLDER | 1 | | | | |
| 23 | 31062 169 | PRE-COAT LOCK BOLT | 4 | | | | |
| 24 | 579L 0600 | FLANGE NUT | 4 | | | | |
| 25 | 61024 208 | SPACER | 1 | | | | |
| 26 | 91014 159 59 | BLADE | 1 | | | | |
| 27 | 31057 197 | HEXAGON BOLT | 2 | | | | |
| 28 | 31057 243 | HEXAGON BOLT | 4 | | | | |

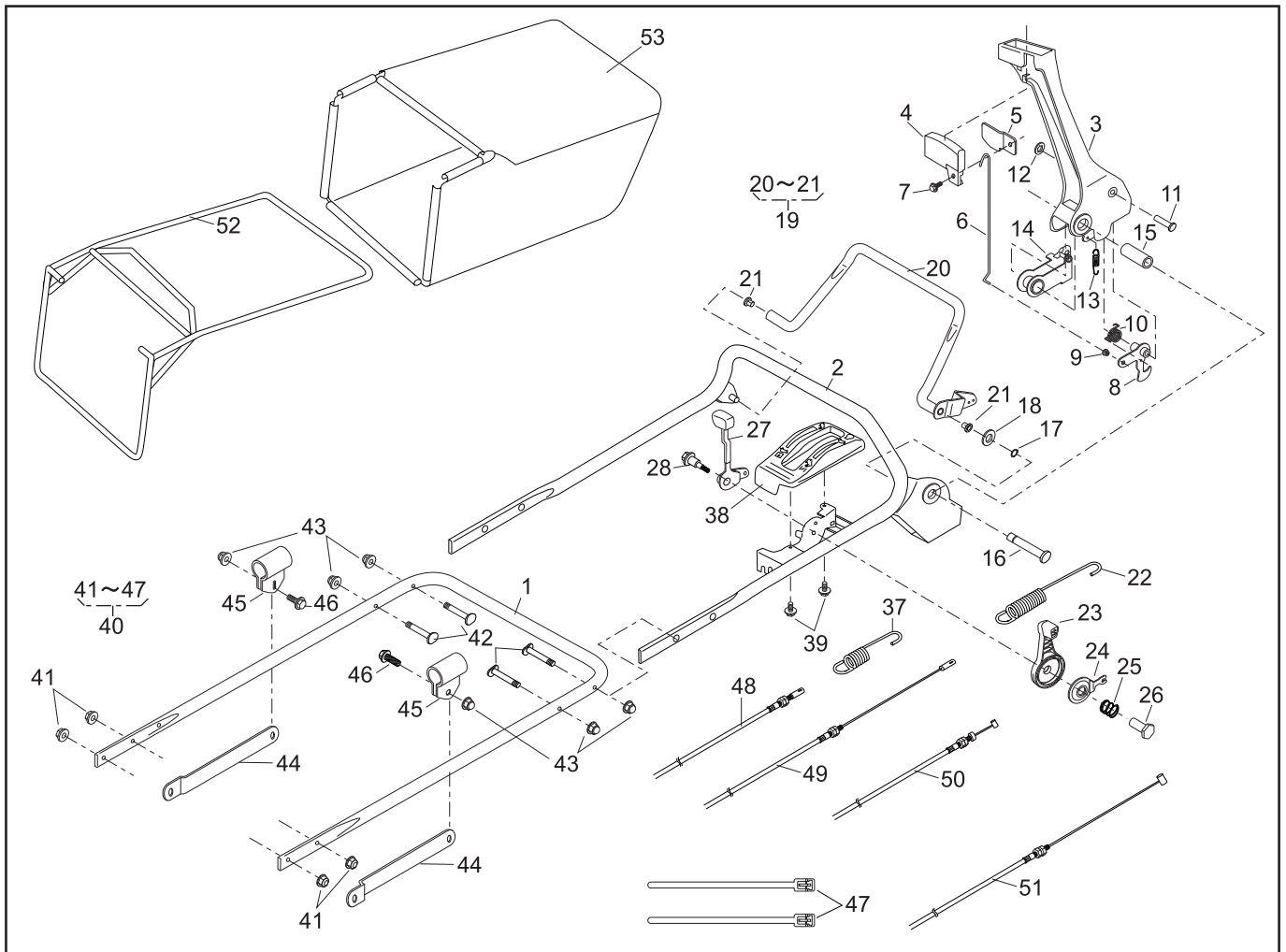


PARTS LIST

Serial No. 3000001~

46014-236

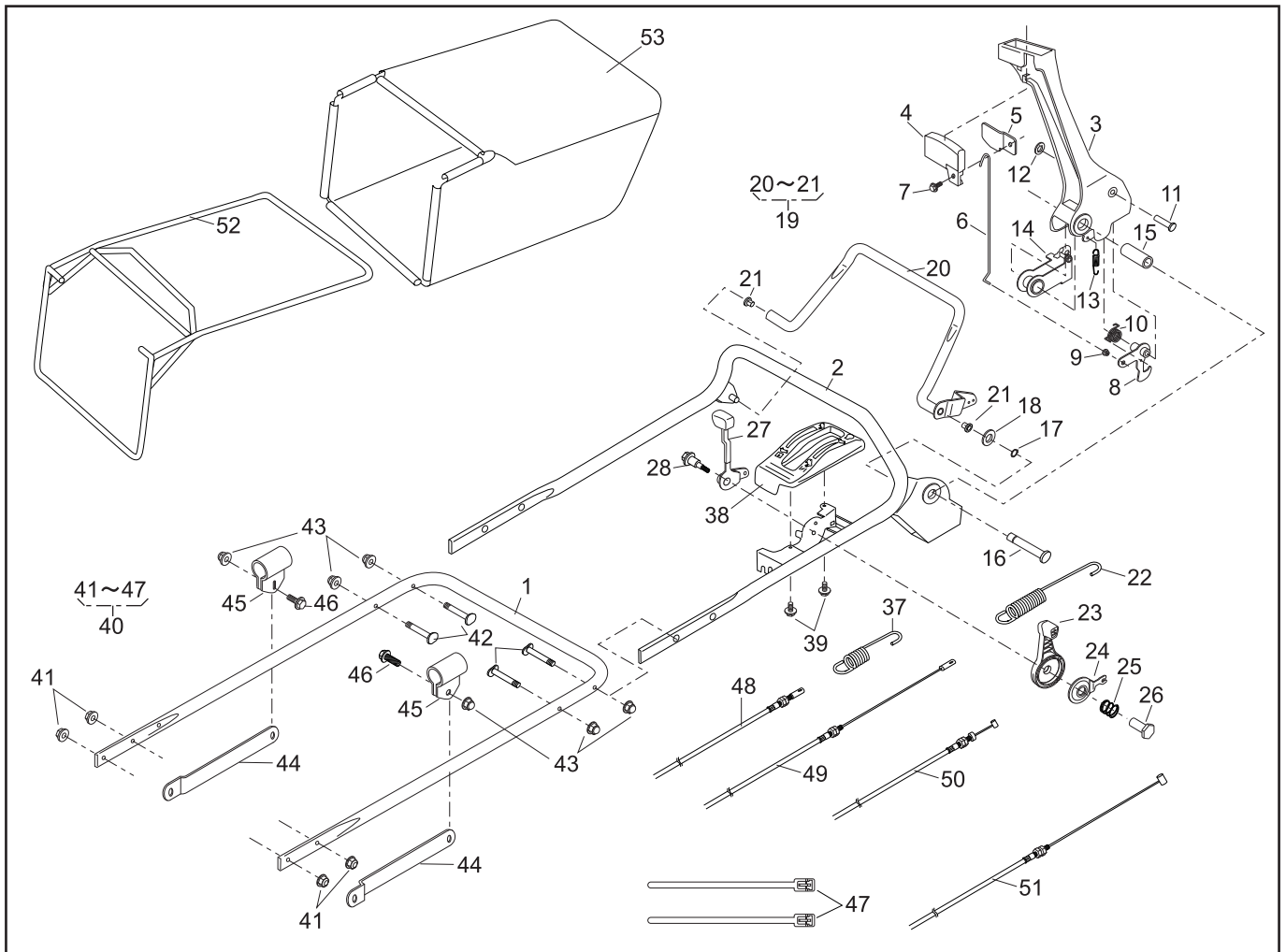
| REF. No. | PARTS No. | PARTS NAME | GARSS-CUTTING-Pro | | | 2/2 | | Feb.07,2005 |
|----------|-------------|---------------------------------|-------------------|----------|------------|---------|--|-------------|
| | | | Q'TY | PRICE() | RECOMM.(%) | REMARKS | | |
| | | | INCLUDING | | Lot.100 | | | |
| 29 | 61024 142 | SPACER | 3 | | | | | |
| 30 | 71067 106 | BRAKE ASSY | 1 | | | | | |
| 31 | 31057 196 | HEXAGON BOLT | 1 | | | | | |
| 32 | 671V 1000 | CONICAL SPRING WASHER | 1 | | | | | |
| 33 | 91097 101 | UNIVERSAL JOINT | 1 | | | | | |
| 34 | 812V 2000 | C-SNAP RING FOR SHAFT | | 1 | | | | |
| 35 | 717B 0418 | PARALLEL PIN | | 1 | | | | |
| 36 | 64014 339 | SHAFT | 1 | | | | | |
| 37 | 91049 129 | CONNECTOR | 1 | | | | | |
| 38 | 68036 280 | WASHER | 1 | | | | | |
| 39 | 816V 0800 | E-SNAP RING | 1 | | | | | |
| 40 | 36065 438 | COVER | 1 | | | | | |
| 41 | 342L 0616 | FLANGE BOLT TAPPING | 1 | | | | | |
| 42 | 51116 149 | HANDLE BRACKET(L) | 1 | | | | | |
| 43 | 51116 150 | HANDLE BRACKET(R) | 1 | | | | | |
| 44 | 31057 255 | HEXAGON BOLT | 4 | | | | | |
| 45 | 512L 0800 | HEXAGON NUT | 4 | | | | | |
| 46 | 11113 408 | STAY | 2 | | | | | |
| 47 | 512L 0800 | HEXAGON NUT | 2 | | | | | |
| 48 | 31057 181 | HEXAGON BOLT | 2 | | | | | |
| 49 | 342L 0612 | FLANGE BOLT TAPPING | 2 | | | | | |
| 50 | 71008 377 | GEAR CASE ASSY | 1 | | | | | |
| 51 | 36046 150 | SAFETY GUARD | 1 | | | | | |
| 52 | 11012 126 | HANGER BAND | 2 | | | | | |
| 53 | 711V 0522 | SPRING PIN | 2 | | | | | |
| 54 | 569L 0600 | FLANGE NYLON NUT | 2 | | | | | |
| 55 | 122039 | ENGINE:HONDA GXV160H2-SFL1-R280 | 1 | | | | | |
| 56 | | WOOD RUFF KEY | 1 | | | | | |



PARTS LIST

46014-255

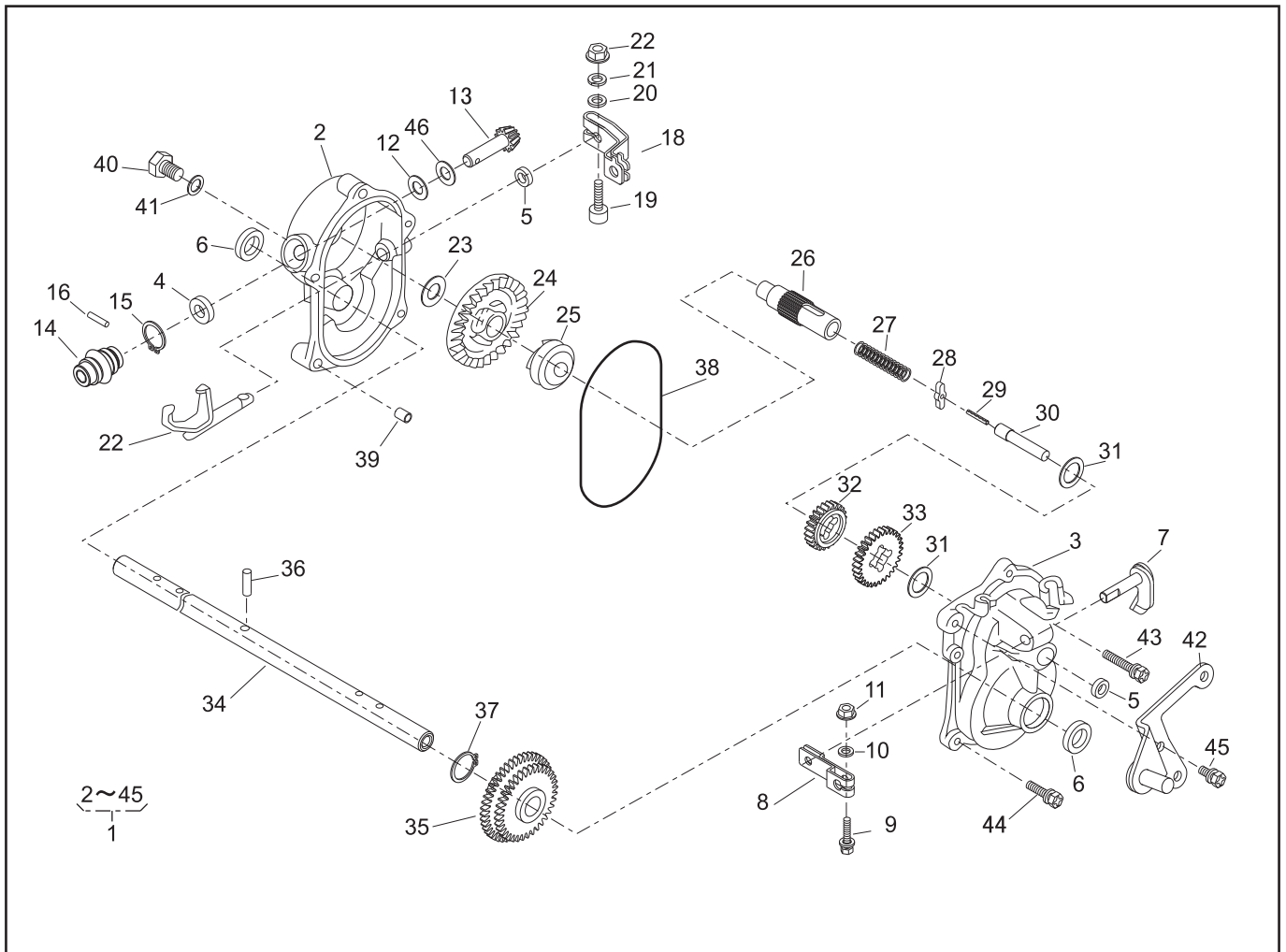
| REF. No. | PARTS No. | PARTS NAME | HANDLE-Pro | | | PRICE() | 1/2 | RECOMM.(%) Lot.100 | Feb.08,2005 | REMARKS |
|----------|------------------|-------------------------------|------------|-----------|--|----------|-----|-----------------------|-------------|---------|
| | | | Q'TY | INCLUDING | | | | | | |
| 1 | 51027 249 | HANDLE | 1 | | | | | | | |
| 2 | 51027 250 | HANDLE | 1 | | | | | | | |
| 3 | 11095 172 | LEVER(BBC) | 1 | | | | | | | |
| 4 | 36110 102 | BUTTON | 1 | | | | | | | |
| 5 | 11049 109 | SLIDE PLATE | 1 | | | | | | | |
| 6 | 64014 336 | SHAFT | 1 | | | | | | | |
| 7 | 335N 0612 | FLANGE BOLT | 1 | | | | | | | |
| 8 | 71203 135 | ARM C.P. | 1 | | | | | | | |
| 9 | 76007 183 | BUSH | 1 | | | | | | | |
| 10 | 68013 371 | SPRING | 1 | | | | | | | |
| 11 | 31056 127 | GIB-HEADED PIN | 1 | | | | | | | |
| 12 | 576V 0600 | PUSH NUT | 1 | | | | | | | |
| 13 | 68013 372 | SPRING | 1 | | | | | | | |
| 14 | 11109 111 | LINK | 1 | | | | | | | |
| 15 | 61023 190 | SLEEVE | 1 | | | | | | | |
| 16 | 64014 337 | SHAFT | 1 | | | | | | | |
| 17 | 812V 0800 | C-SNAP RING FOR SHAFT | 1 | | | | | | | |
| 18 | 613L 0800 | WASHER | 1 | | | | | | | |
| 19 | 71161 114 09 | LEVER ASSY | 1 | | | | | | | |
| 20 | | LEVER | | 1 | | | | | | |
| 21 | 76007 131 | BUSH | | 2 | | | | | | |
| 22 | 68013 374 | SPRING | 1 | | | | | | | |
| 23 | 91010 169 | THROTTLE LEVER(GXV120/GXV160) | 1 | | | | | | | |
| 24 | 61003 113 | THRUST PLATE | 1 | | | | | | | |
| 25 | 68013 356 | SPRING | 1 | | | | | | | |
| 26 | 31058 168 | NUT | 1 | | | | | | | |
| 27 | 11095 117 | LEVER | 1 | | | | | | | |
| 28 | 31062 109 | PRE-COAT LOCK BOLT | 1 | | | | | | | |



PARTS LIST

46014-255

| REF. No. | PARTS No. | PARTS NAME | HANDLE-Pro | | 2/2 | REMARKS |
|----------|-------------|------------------------------|----------------|----------|-----------------------|---------|
| | | | Q'TY INCLUDING | PRICE() | RECOMM.(%) Lot.100 | |
| 29 | | | | | | |
| 30 | | | | | | |
| 31 | | | | | | |
| 32 | | | | | | |
| 33 | | | | | | |
| 34 | | | | | | |
| 35 | | | | | | |
| 36 | | | | | | |
| 37 | 68013 161 | SPRING | 1 | | | |
| 38 | 71900 796 | COVER ASSY | 1 | | | |
| 39 | 470L 0514 | (+)TAPPING SCREW | 2 | | | |
| 40 | 71900 845 | BOLT SET | 1 | | | |
| 41 | 569L 0800 | FLANGE NYLON NUT | 4 | | | |
| 42 | 31057 256 | BOLT | 4 | | | |
| 43 | 583L 0800 | FLANGE CAP NUT | 6 | | | |
| 44 | 71900 846 | BAR SET | 1 | | | |
| 45 | 11012 132 | HANGER BAND | 2 | | | |
| 46 | 31057 181 | HEXAGON BOLT | 2 | | | |
| 47 | 68028 103 | WIRE BAND | 2 | | | |
| 48 | 91003 125 | CONTROL CABLE | 1 | | | |
| 49 | 91003 170 | CONTROL CABLE | 1 | | | |
| 50 | 91001 329 | THROTTLE WIRE(GXV120/GXV160) | 1 | | | |
| 51 | 91003 169 | CONTROL CABLE(BBC) | 1 | | | |
| 52 | 11062 178 | FRAME C.P. | 1 | | | |
| 53 | 36098 136 | GRASS BAG C.P.(Black) | 1 | | | |
| 54 | | | | | | |
| 55 | | | | | | |
| 56 | | | | | | |

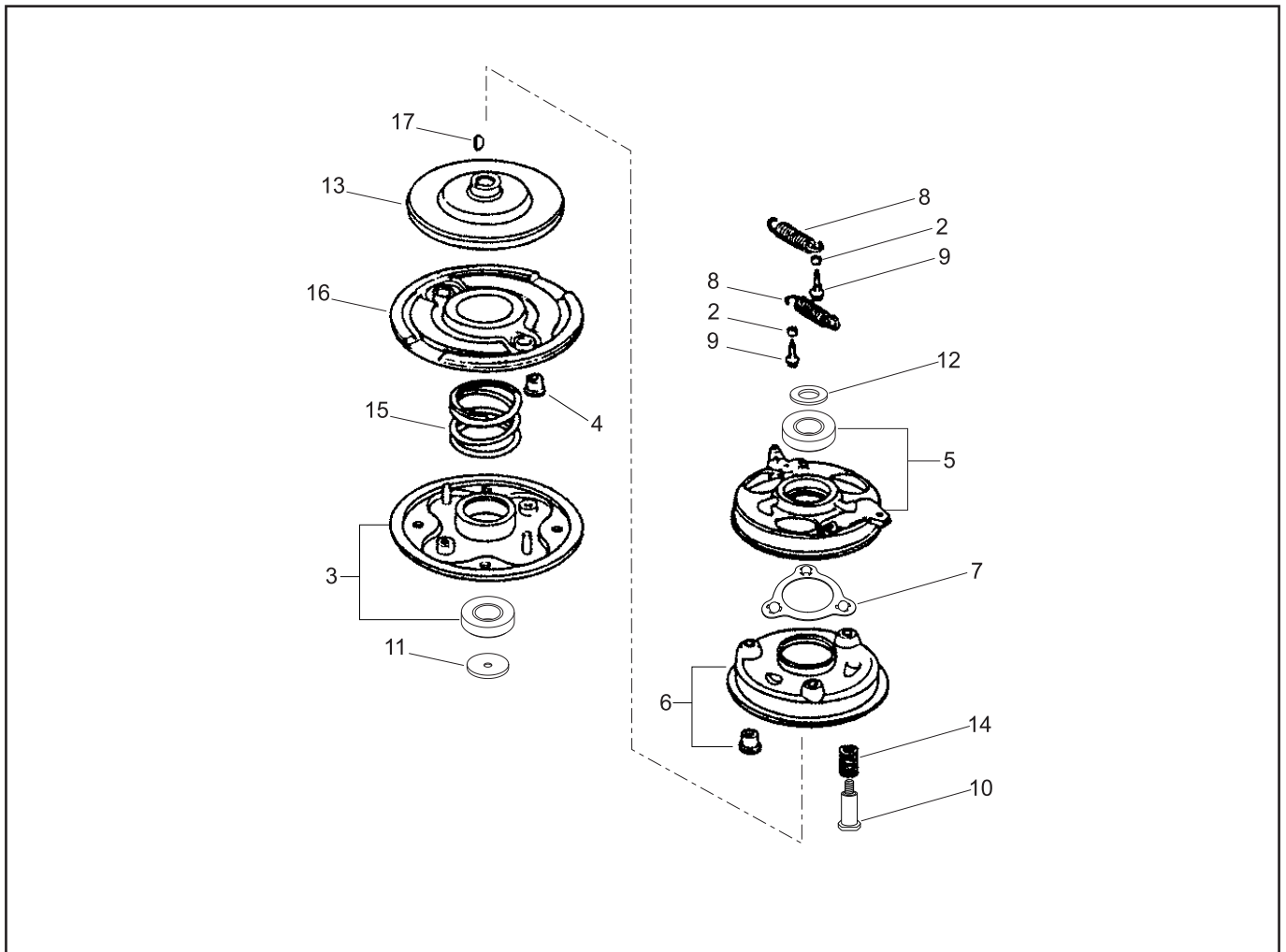


PARTS LIST

GEAR CASE ASSY (71008-377)

46014-264

| REF. No. | PARTS No. | PARTS NAME | GEAR CASE | | | 1/2 | Feb.07,2005 |
|----------|-------------|-----------------------|----------------|----------|--------------------|---------|-------------|
| | | | Q'TY INCLUDING | PRICE() | RECOMM.(%) Lot.100 | REMARKS | |
| 1 | 71008 377 | GEAR CASE ASSY | 1 | | | | |
| 2 | 51001 195 | GEAR CASE | 1 | | | | |
| 3 | 51001 196 | GEAR CASE | 1 | | | | |
| 4 | 61002 161 | OIL SEAL | 1 | | | | |
| 5 | 61002 162 | OIL SEAL | 2 | | | | |
| 6 | 61002 163 | OIL SEAL | 2 | | | | |
| 7 | 64024 104 | THIFTER SHAFT | 1 | | | | |
| 8 | 11104 119 | ARM | 1 | | | | |
| 9 | 320L 0525 | HEXAGON BOLT(PW) | 1 | | | | |
| 10 | 611L 0500 | PLAIN WASHER | 1 | | | | |
| 11 | 571L 0500 | FLANGE NUT | 1 | | | | |
| 12 | 61003 109 | THRUST PLATE | 1 | | | | |
| 13 | 78003 130 | PINION | 1 | | | | |
| 14 | 91097 101 | UNIVERSAL JOINT | 1 | | | | |
| 15 | 812V 2000 | C-SNAP RING FOR SHAFT | | 1 | | | |
| 16 | 717B 0418 | PARALLEL PIN | | 1 | | | |
| 17 | 11097 106 | SHIFTER FORK | 1 | | | | |
| 18 | 11104 137 | ARM | 1 | | | | |
| 19 | 419U 0630 | SOCKET SCREW | 1 | | | | |
| 20 | 611L 0600 | PLAIN WASHER | 1 | | | | |
| 21 | 661L 0600 | SPRING LOCK WASHER | 1 | | | | |
| 22 | 512L 0600 | HEXAGON NUT | 1 | | | | |
| 23 | 61024 117 | SPACER | 1 | | | | |
| 24 | 78001 162 | BEVEL GEAR | 1 | | | | |
| 25 | 11129 107 | CLUTCH | 1 | | | | |
| 26 | 64014 236 | SHAFT | 1 | | | | |
| 27 | 68013 262 | SPRING | 1 | | | | |



PARTS LIST

BRAKE ASSY (71067-106)

46014-266

| REF. No. | PARTS No. | PARTS NAME | BBC | | | 1/1 | Feb.09,2005 |
|----------|---------------|----------------------|----------------|----------|--------------------|---------|-------------|
| | | | Q'TY INCLUDING | PRICE() | RECOMM.(%) Lot.100 | REMARKS | |
| 1 | 71067 106 | BRAKE ASSY | 1 | | | - | |
| 2 | 19512 883 000 | FAN COLLAR | 2 | | | - | |
| 3 | 72600 VA4 010 | BLADE HOLDER ASSY | 1 | | | 3 | |
| 4 | 72613 VA4 000 | BLADE HOLDER BUSH | 2 | | | 5 | |
| 5 | 75090 VA4 030 | BALL CONTROL PLATE | 1 | | | 10 | |
| 6 | 75100 VA4 010 | BRAKE C.P. | 1 | | | 3 | |
| 7 | 75110 VA4 000 | BALL RETAINER C.P. | 1 | | | 10 | |
| 8 | 75182 VA3 J00 | CLUTCH RETURN SPRING | 2 | | | 5 | |
| 9 | 90014 952 000 | FLANGE BOLT | 4 | | | 3 | |
| 10 | 90021 VA4 000 | SPECIAL BOLT | 3 | | | 3 | |
| 11 | 90409 952 000 | WASHER | 1 | | | 3 | |
| 12 | 90501 952 010 | THRUST WASHER | 1 | | | 3 | |
| 13 | 75130 VA4 000 | DRIVE DISK | 1 | | | 3 | |
| 14 | 75132 VA4 000 | BRAKE HOLDER SPRING | 3 | | | 5 | |
| 15 | 75183 VA3 J00 | CLUTCH SPRING | 1 | | | 3 | |
| 16 | 75150 VA3 J01 | DRIVEN DISK C.P. | 1 | | | 3 | |
| 17 | 94401 16150 | WOOD RUFF KEY | 1 | | | 15 | |
| 18 | | | | | | | |
| 19 | | | | | | | |
| 20 | | | | | | | |
| 21 | | | | | | | |
| 22 | | | | | | | |
| 23 | | | | | | | |
| 24 | | | | | | | |
| 25 | | | | | | | |
| 26 | | | | | | | |
| 27 | | | | | | | |
| 28 | | | | | | | |